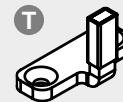
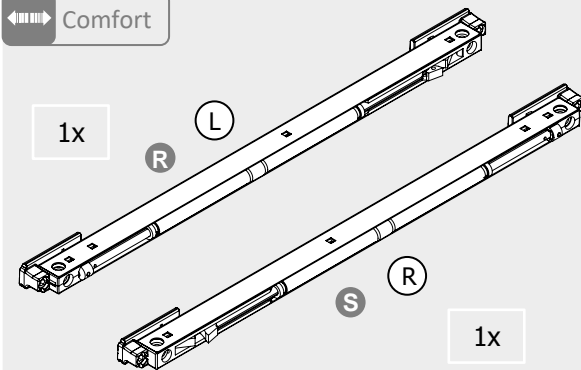
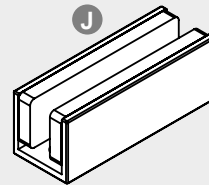
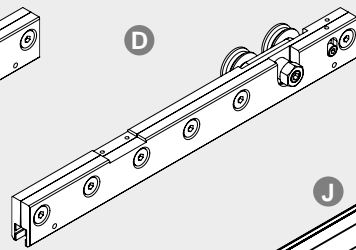
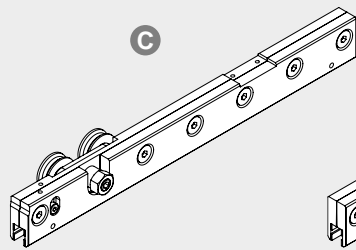
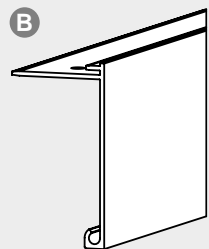
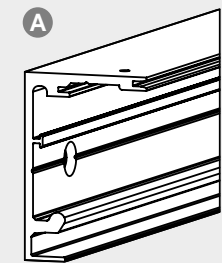


# SCHIEBETÜRSYSTEM X120 GLAS 1-FLG. + COMFORT / sliding door system X120 glass 1-leaf + comfort



2x

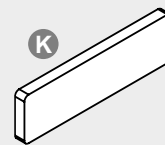
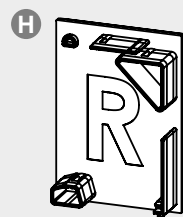
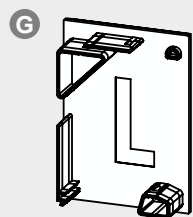
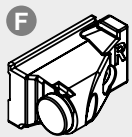
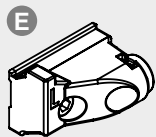


M3x8

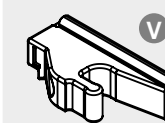
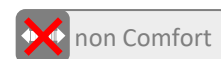
4x

1x

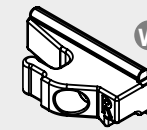
1x



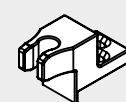
1x



1x



1x



2x



M3x8

4x

1x

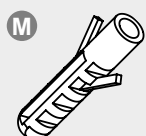
1x

1x

1x

12x

2x



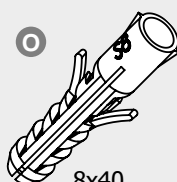
6x30

2x



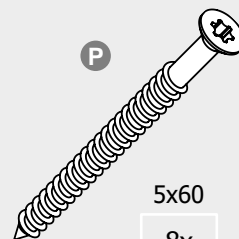
4x30

2x



8x40

8x



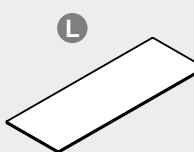
5x60

8x

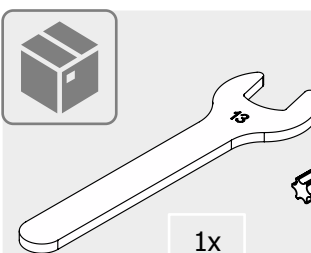


M4x14

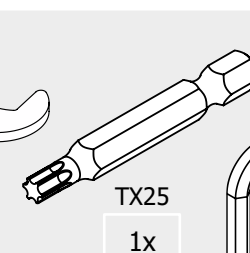
2x



1x

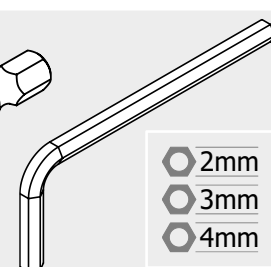


1x



TX25

1x



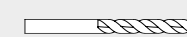
2mm

3mm

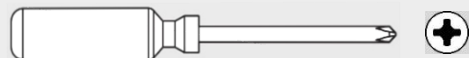
4mm



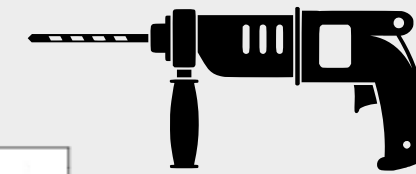
ø 8mm



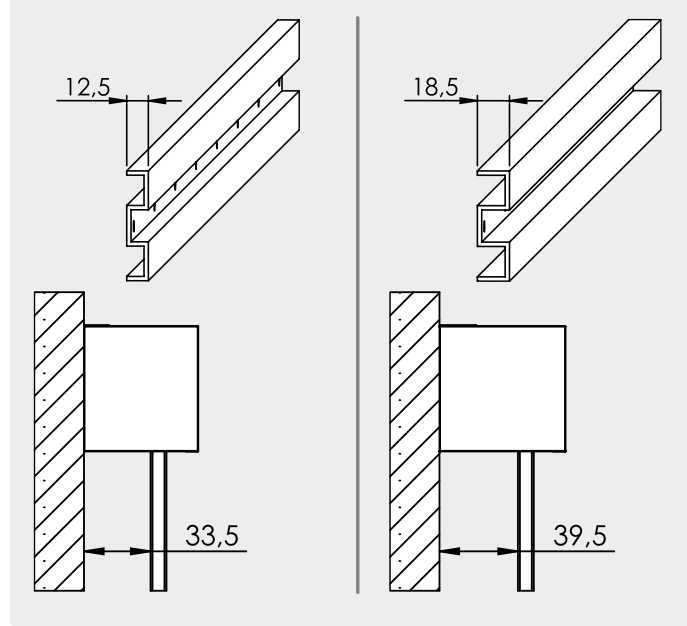
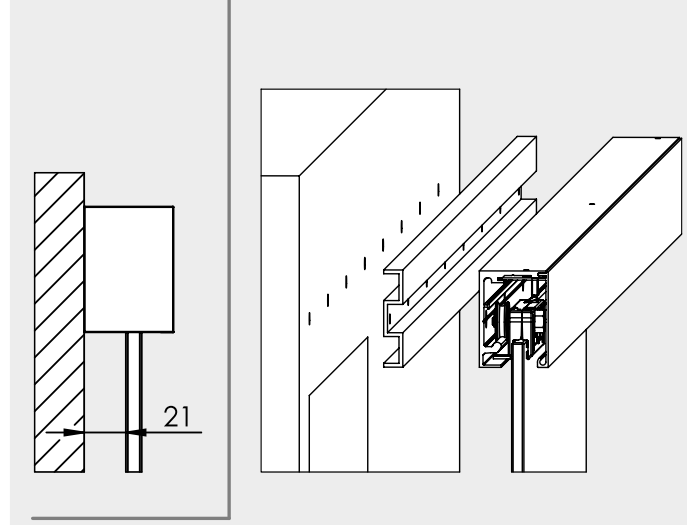
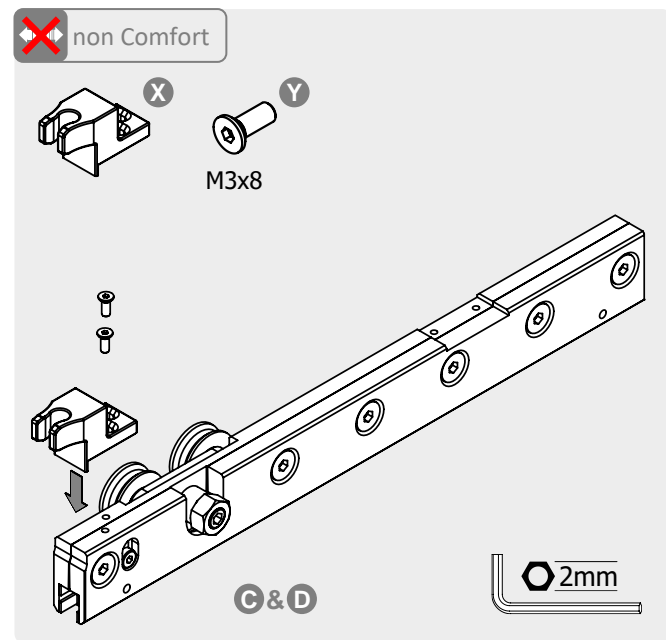
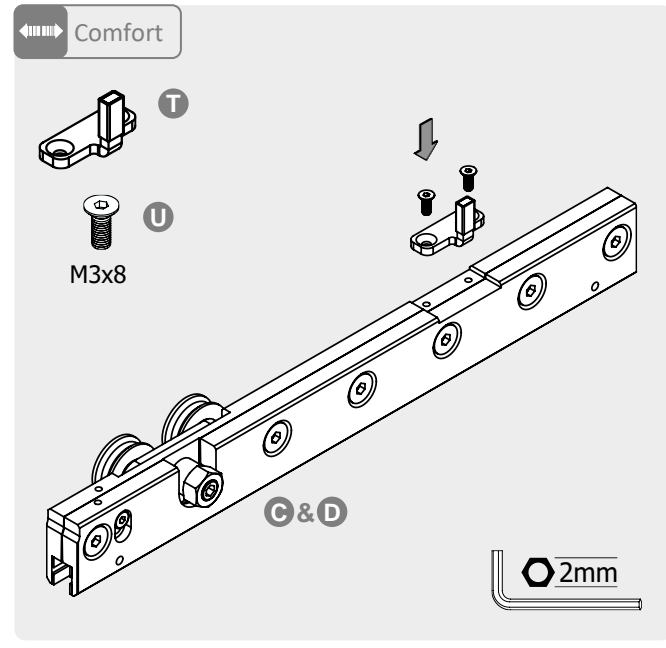
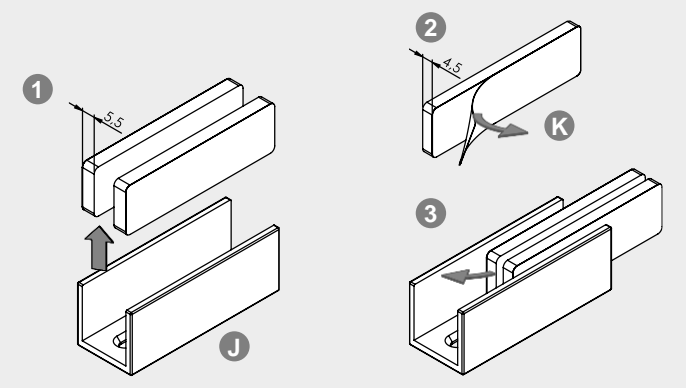
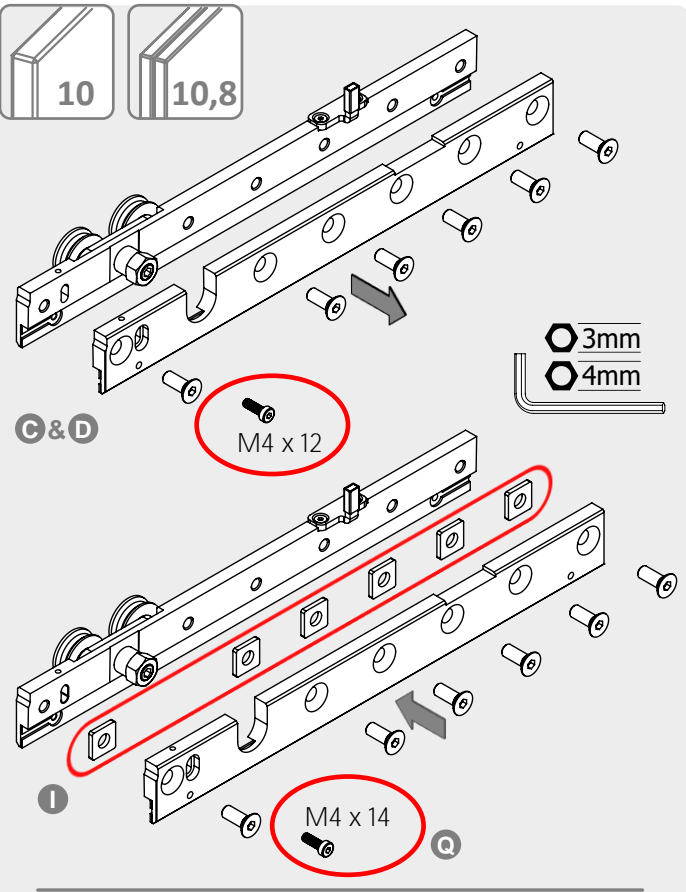
ø 6mm



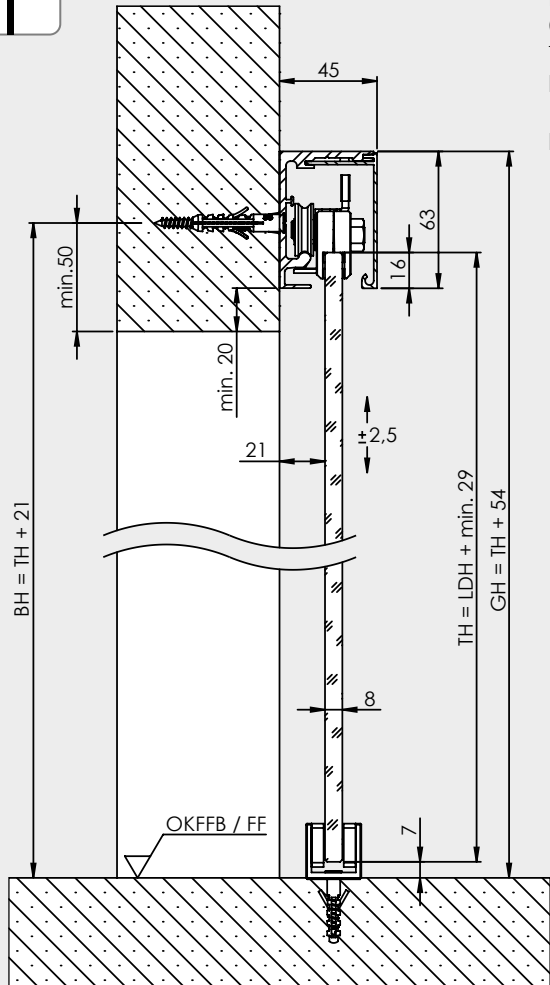
1/4" (6,35mm)



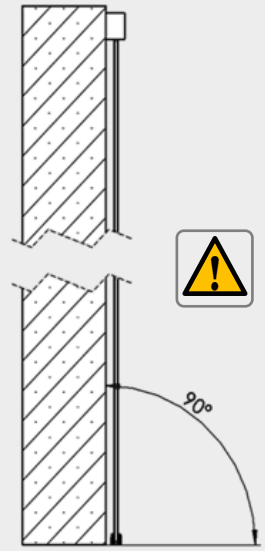
# SCHIEBETÜRSYSTEM X120 GLAS 1-FLG. + COMFORT / sliding door system X120 glass 1-leaf + comfort



# SCHIEBETÜRSYSTEM X120 GLAS 1-FLG. + COMFORT / sliding door system X120 glass 1-leaf + comfort



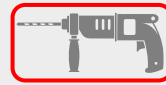
- BH = Bohrhöhe / drilling level
- GH = Gesamthöhe / total height
- TH = Türhöhe / door height
- LDH = Lichte Durchgangshöhe / pass line height
- LDB = Lichte Durchgangsbreite / pass line width



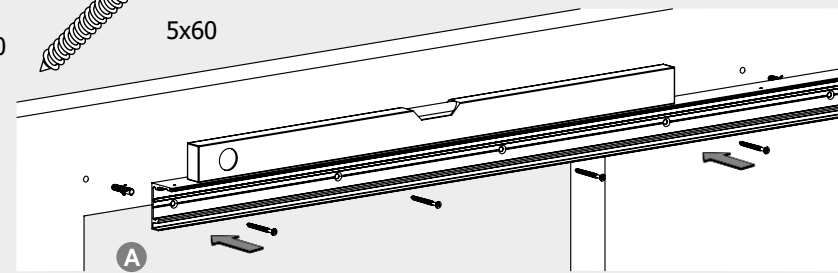
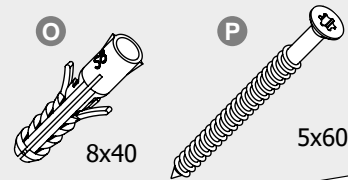
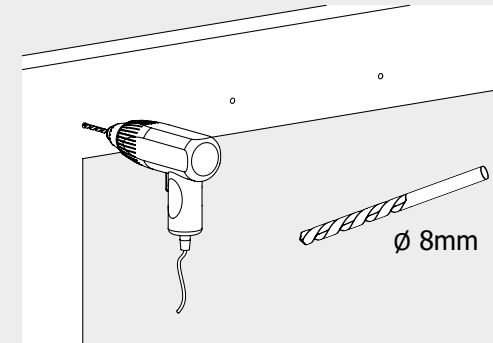
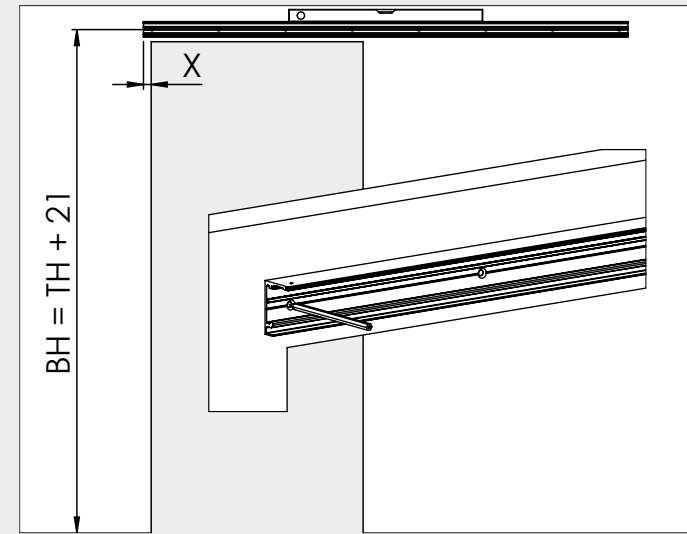
Glasüberstand: 30mm empfohlen  
Glass overlap: 30mm recommended



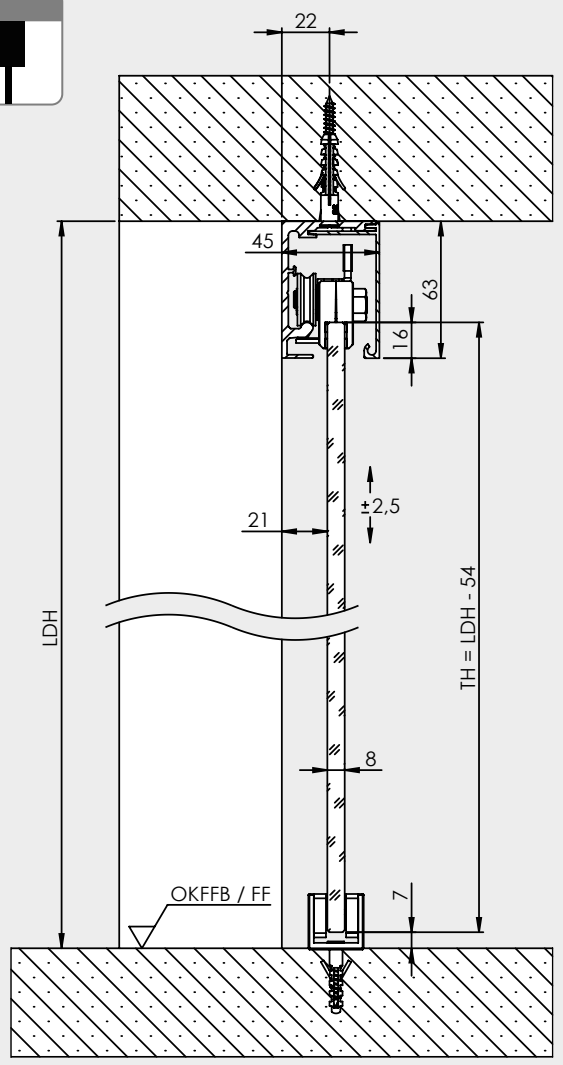
1



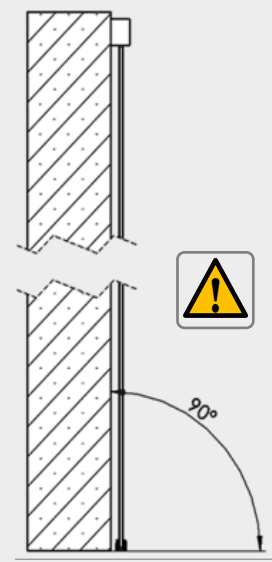
$X = 32\text{mm}$



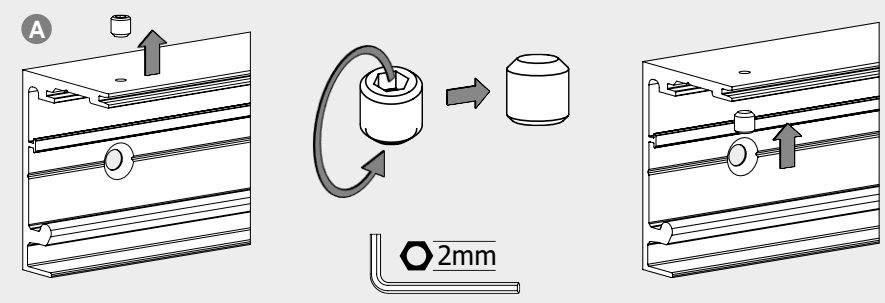
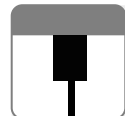
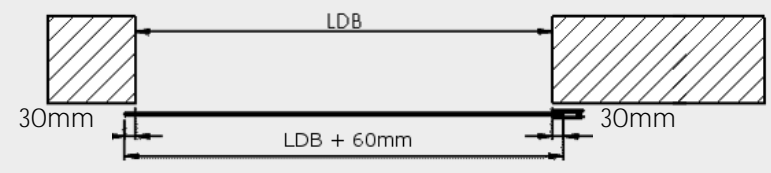
# SCHIEBETÜRSYSTEM X120 GLAS 1-FLG. + COMFORT / sliding door system X120 glass 1-leaf + comfort



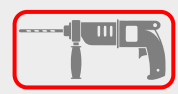
TH = Türhöhe / door height  
 LDH = Lichte Durchgangshöhe  
 pass line height  
 LDB = Lichte Durchgangsbreite  
 pass line width



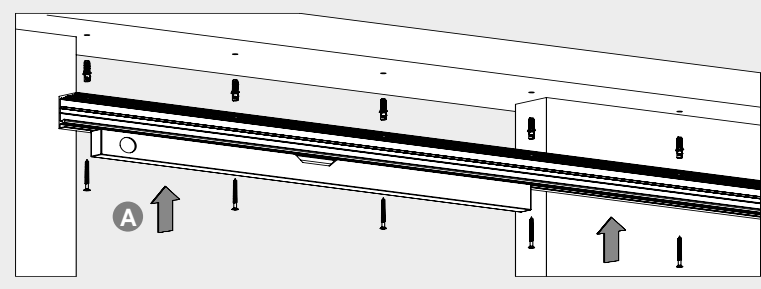
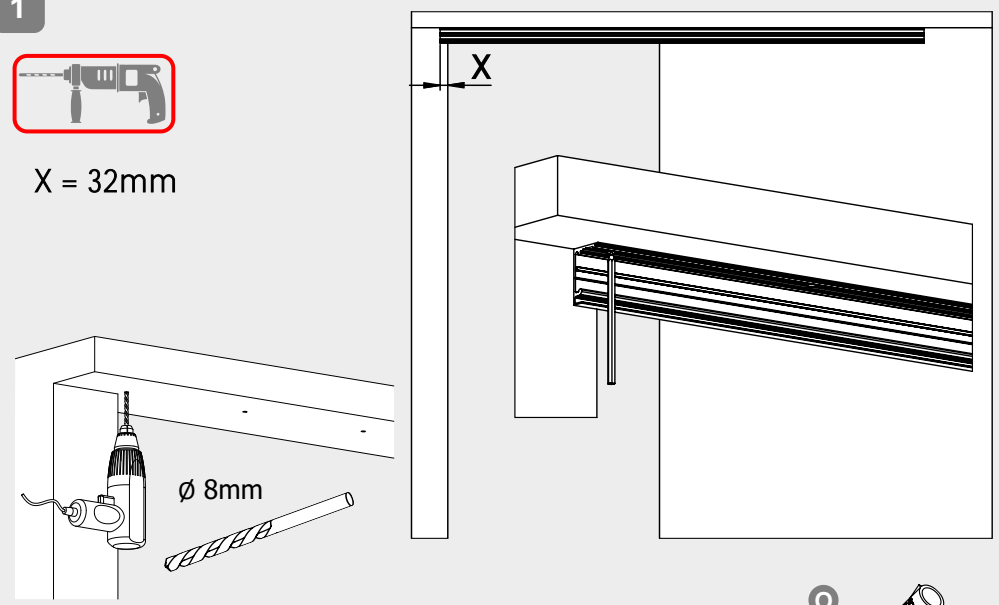
Glasüberstand: 30mm empfohlen  
 Glass overlap: 30mm recommended



1



X = 32mm



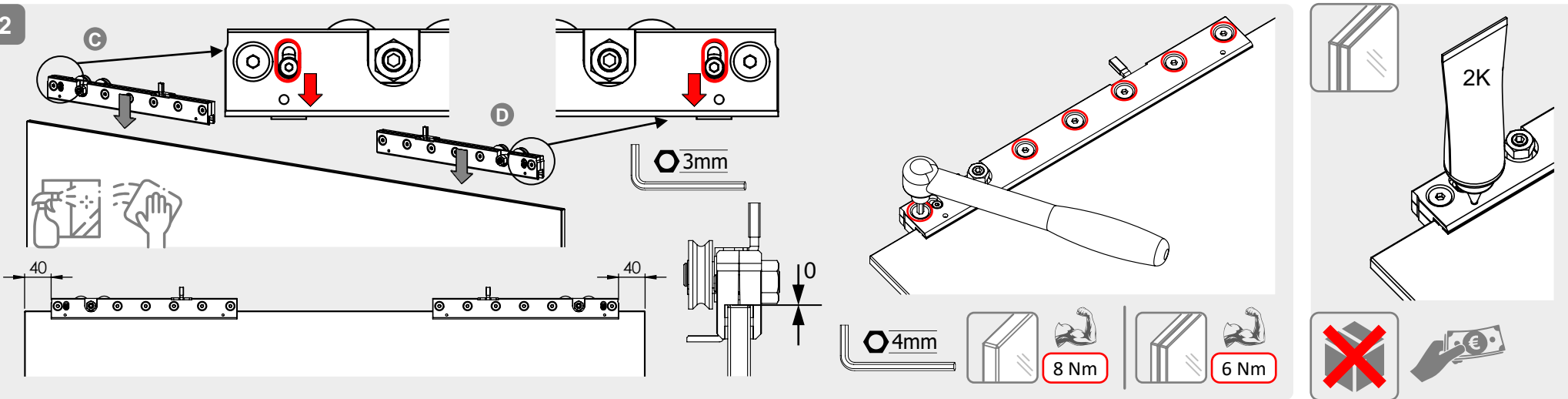
8x40



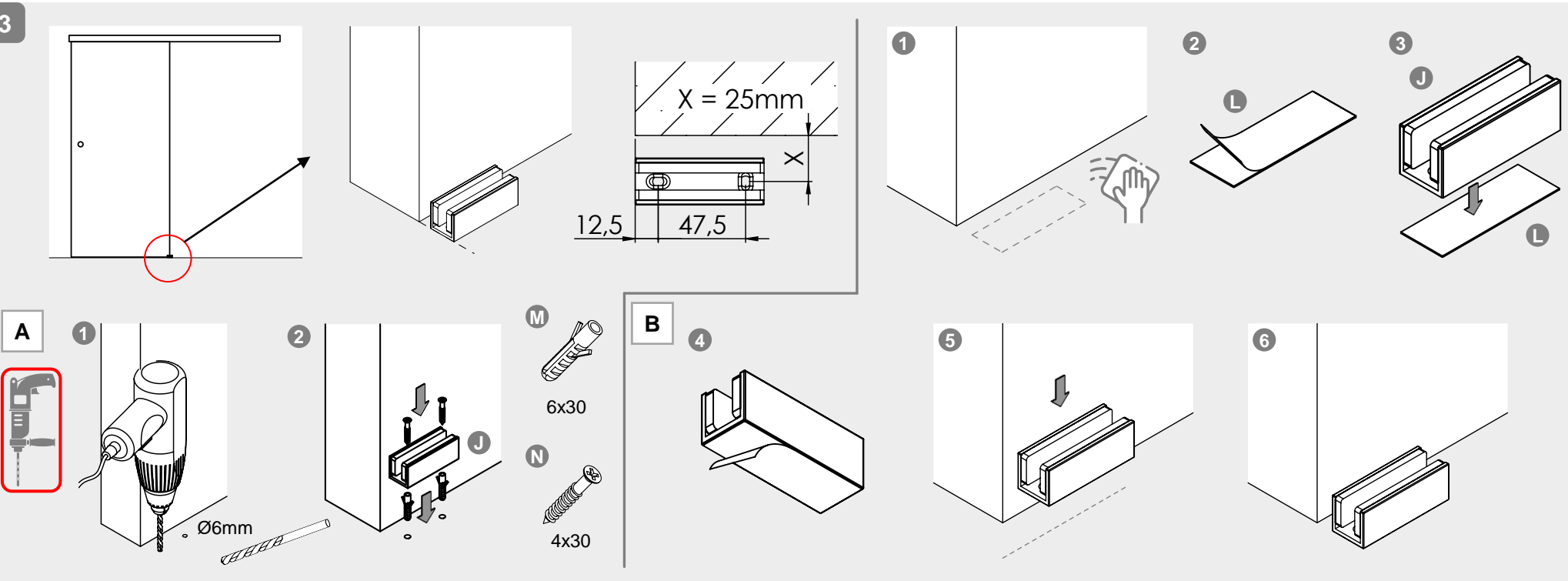
5x60

# SCHIEBETÜRSYSTEM X120 GLAS 1-FLG. + COMFORT / sliding door system X120 glass 1-leaf + comfort

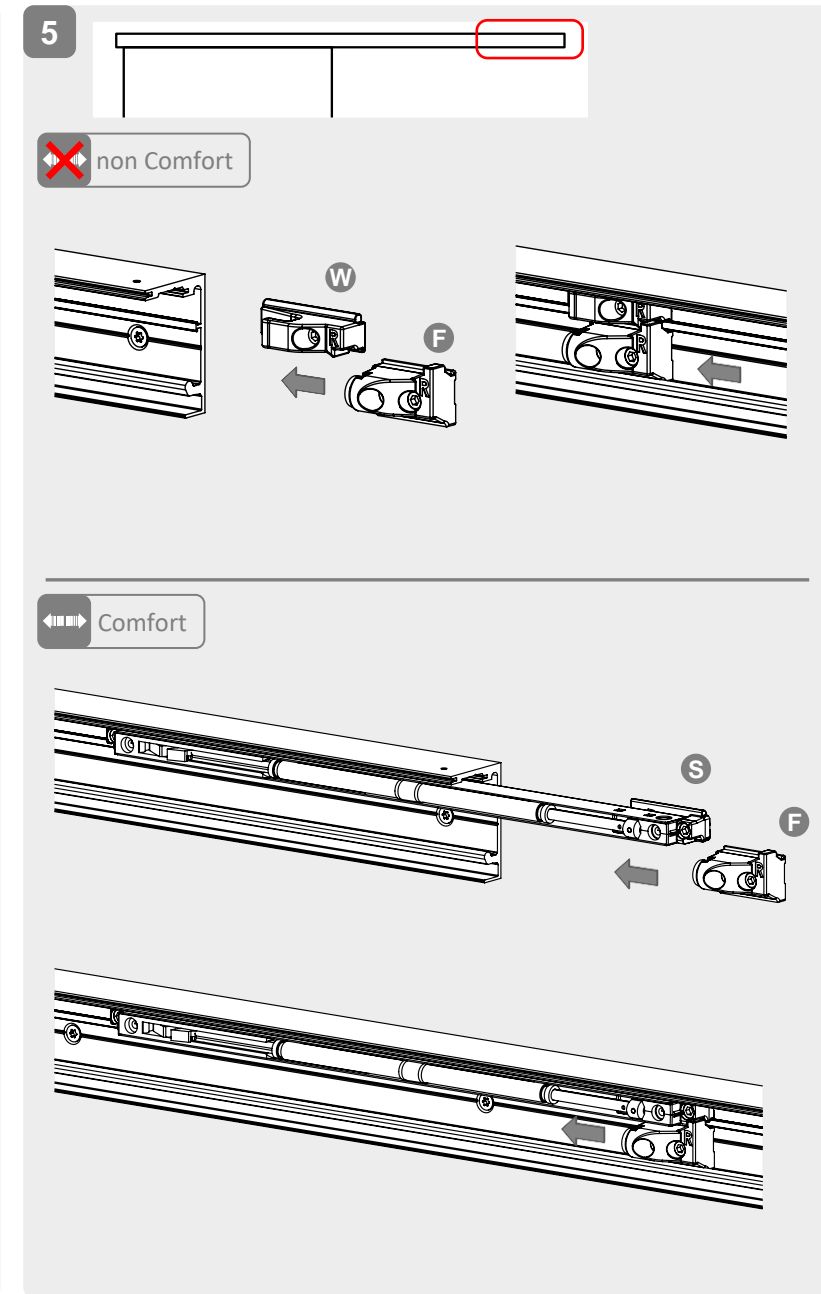
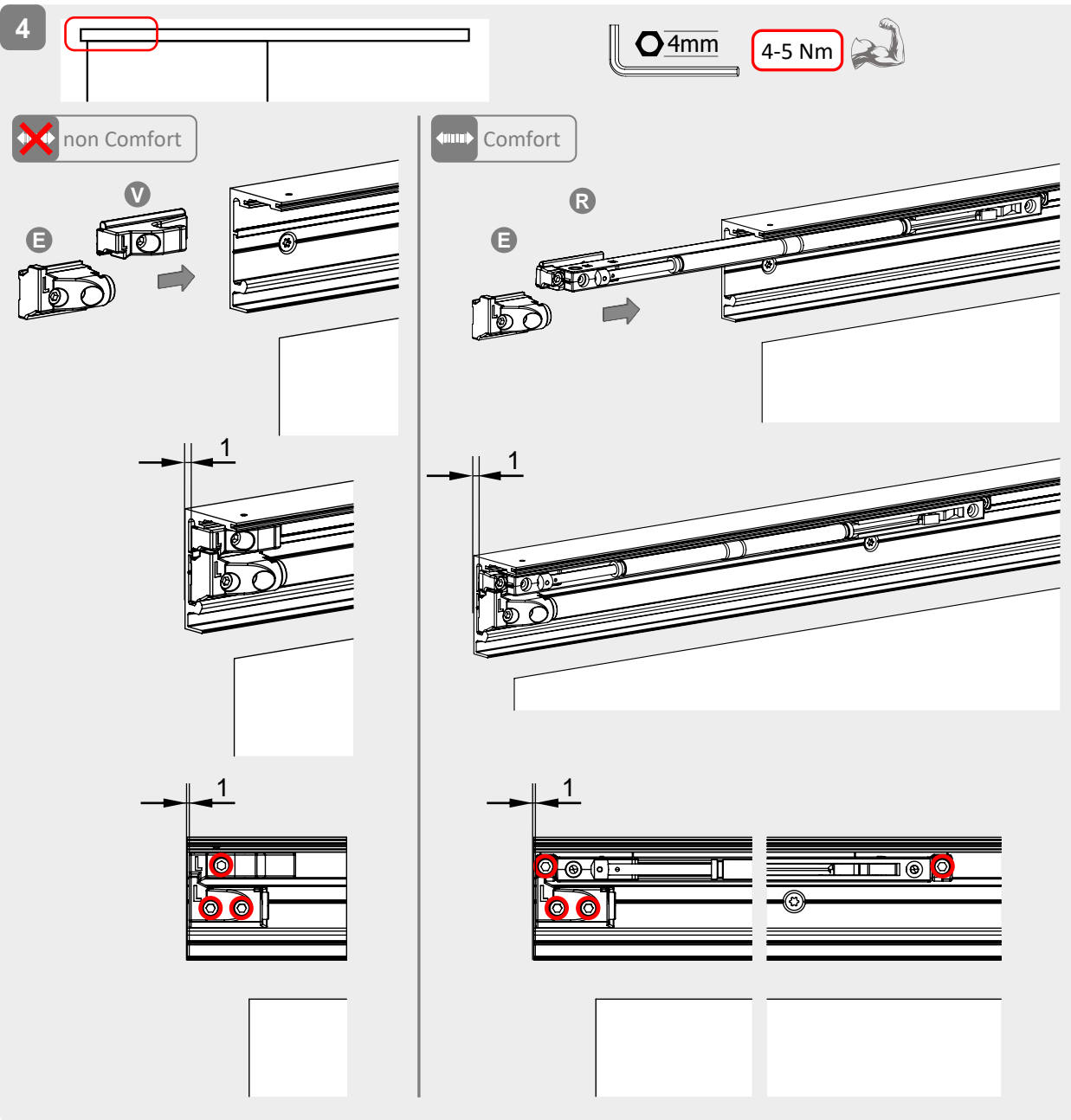
2



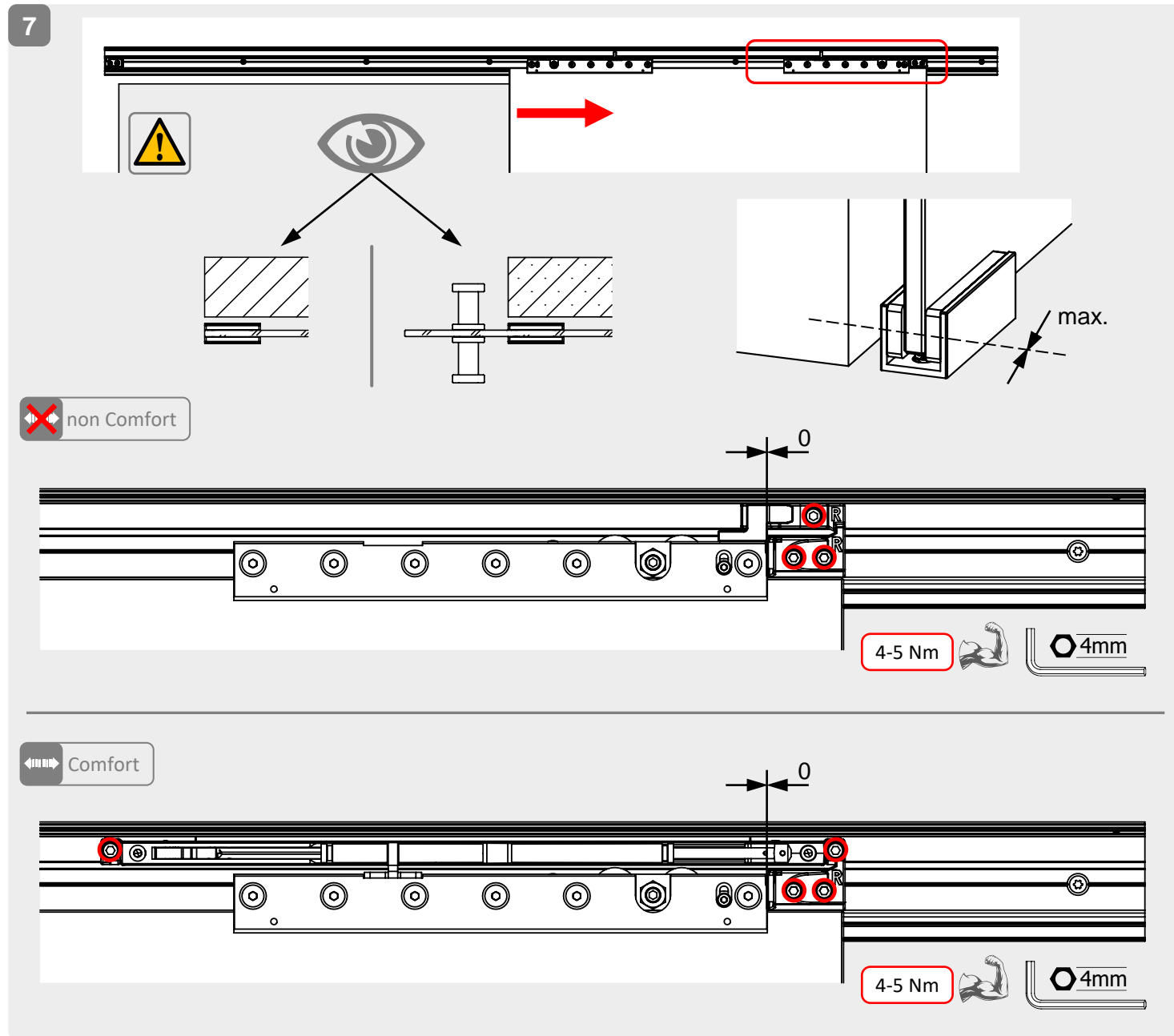
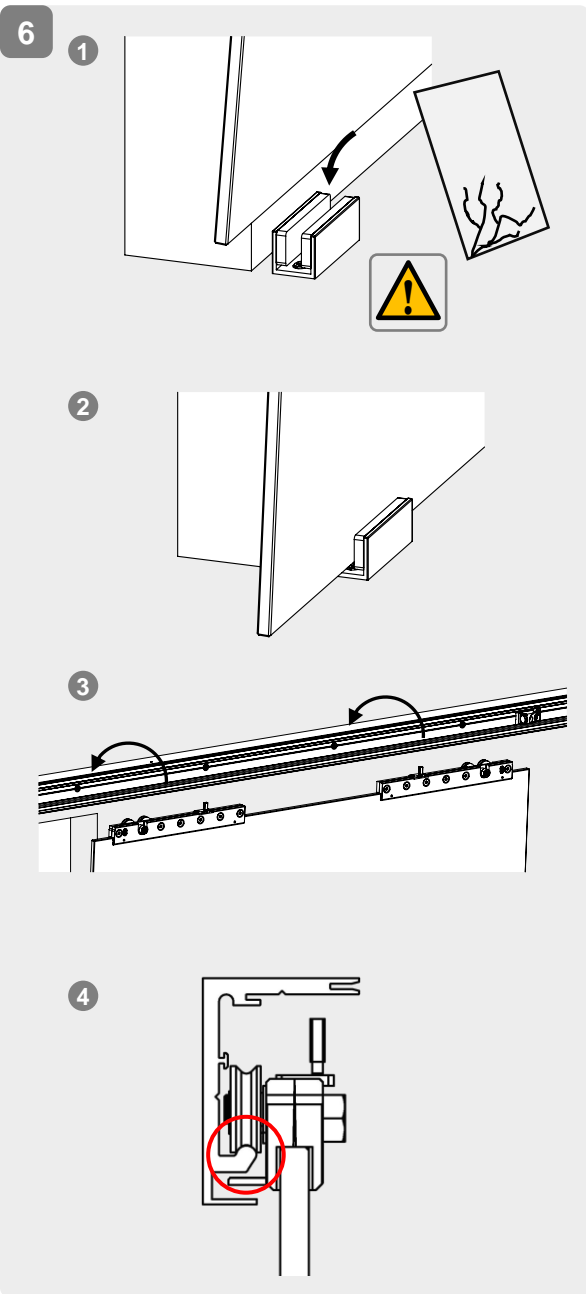
3



# SCHIEBETÜRSYSTEM X120 GLAS 1-FLG. + COMFORT / sliding door system X120 glass 1-leaf + comfort



# SCHIEBETÜRSYSTEM X120 GLAS 1-FLG. + COMFORT / sliding door system X120 glass 1-leaf + comfort



# SCHIEBETÜRSYSTEM X120 GLAS 1-FLG. + COMFORT / sliding door system X120 glass 1-leaf + comfort

